

SECTION 3
GRAIN CLEANING EQUIPMENT
GRAVITY SEPARATORS



PEGASUS PG20A GRAVITY SEPARATOR



THE PEGASUS PG20A CAPACITY CHART

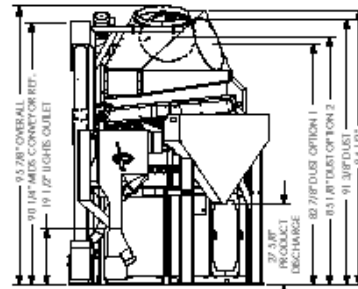
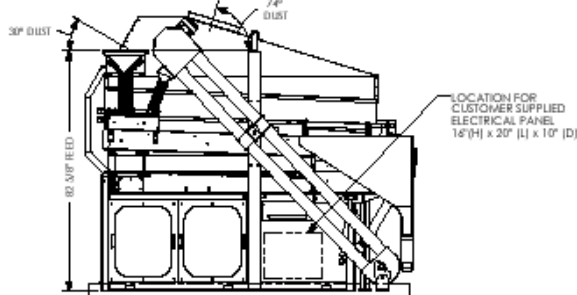
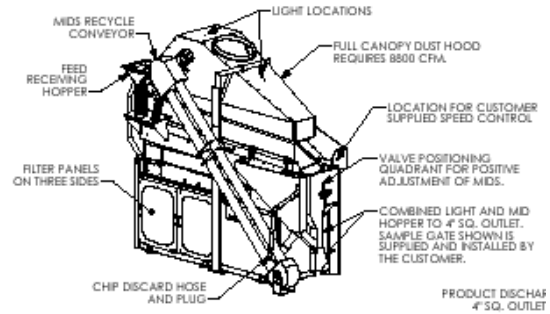
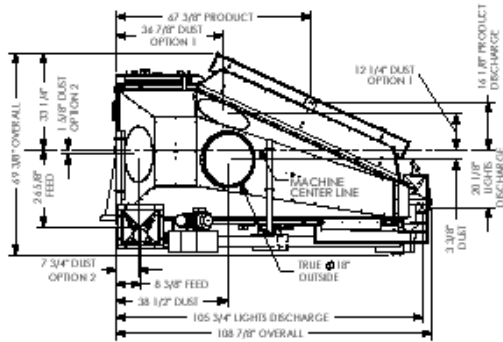
Corn Beans	Wheat Barley	Canola Flax	Alfalfa Clover
175-200 bph	260-300 bph	100-120 bph	1650-220 lbs/hr



SECTION 3

GRAIN CLEANING EQUIPMENT Pegasus PG20 Specifications

PG20A SPECIFICATIONS	Deck Area	Maximum CFM	Motor Requirements	Over All Length	Over All Width	Over All Height	Shipping Weight
	20 ft ²	8,800	7.5 hp fan 1 hp eccentric	111"	76"	65"	2,920 lbs



Options

Half or Full Dust Hood

Middling Return Conveyor

Split Middling Hopper

Urethane Coated Overcover